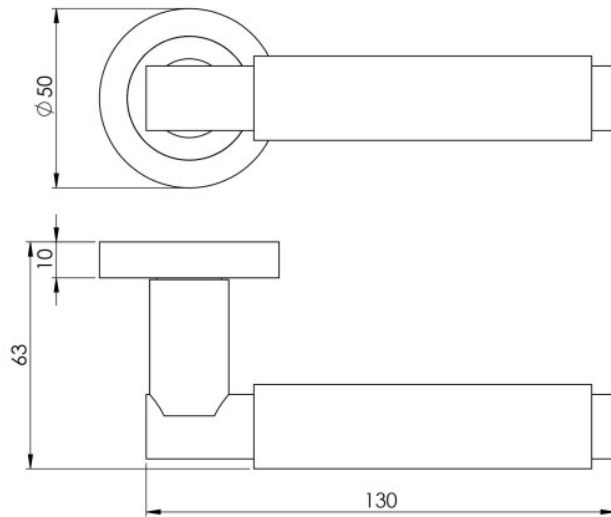


**PRODUCT DATA SHEET**



ITEM CODE	EUL050SB
MANUFACTURER	CARLISLE BRASS LTD UK
BRAND	CARLISLE BRASS
AVAILABLE FINISH	SATIN BRASS
TYPE	LEVER HANDLE
DIAMETER	50MM
PROJECTION	63MM
MECHANICAL WARRANTY	25 YEARS

