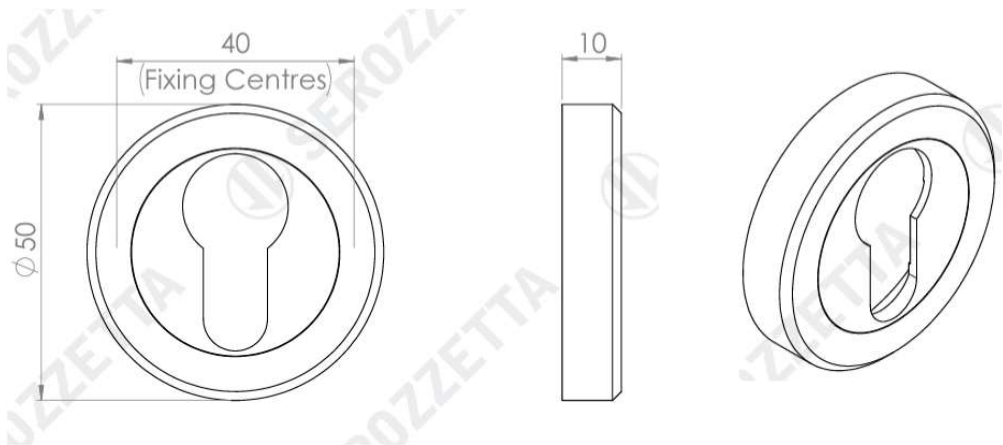


PRODUCT DATA SHEET



ITEM CODE	SZM001MB
MANUFACTURER	CARLISLE BRASS LTD UK
BRAND	ZEROZZETTA
AVAILABLE FINISH	MATT BLACK
TYPE	ESCUTCHEON
DIAMETER	50MM
PROJECTION	10MM
MECHANICAL WARRANTY	10 YEARS



10 Year Mechanical

