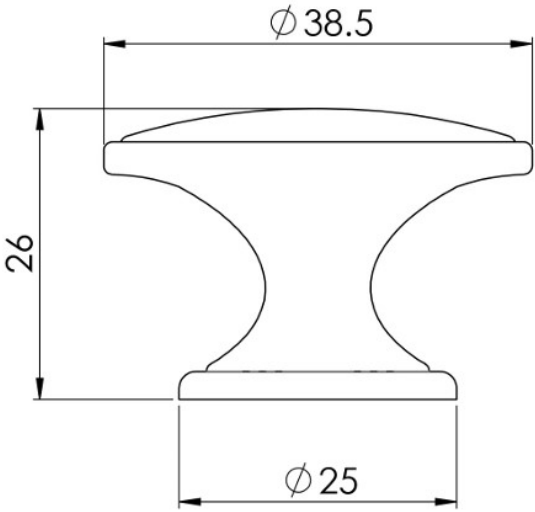


PRODUCT DATA SHEET



ITEM CODE	FTD524GM
MANUFACTURER	CARLISLE BRASS LTD UK
BRAND	FINGERTIP
AVAILABLE FINISH	GUN METAL
TYPE	CABINET HANDLE
KNOB DIAMETER	38.5MM
PROJECTION	26.5MM
MECHANICAL WARRANTY	10 YEARS

