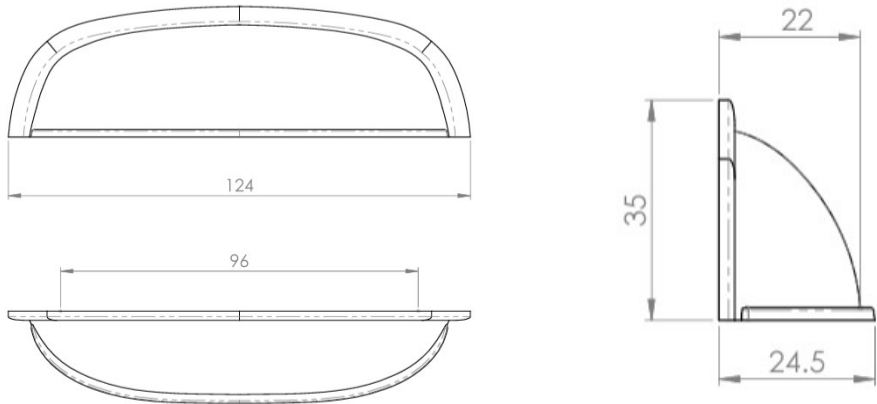


**PRODUCT DATA SHEET**



ITEM CODE	FTD559SN
MANUFACTURER	CARLISLE BRASS LTD UK
BRAND	FINGERTIP
AVAILABLE FINISH	SATIN NICKEL
TYPE	CABINET HANDLE
OVERALL LENGTH	124MM
PROJECTION	22MM
MECHANICAL WARRANTY	10 YEARS

