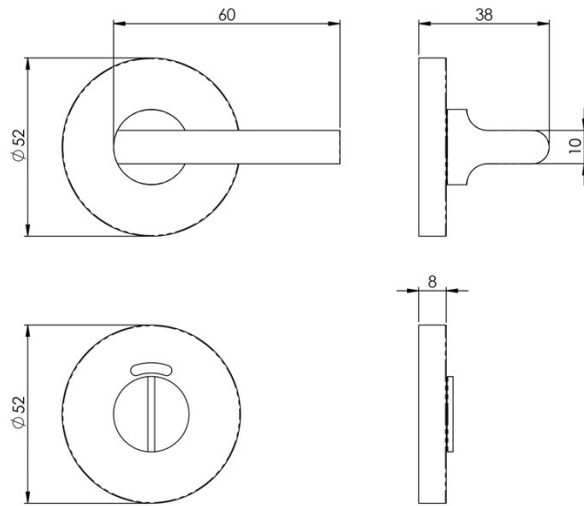


**PRODUCT DATA SHEET**



ITEM CODE	CST1025iSSS
MANUFACTURER	CARLISLE BRASS LTD UK
BRAND	EUROSPEC
AVAILABLE FINISH	SATIN STAINLESS STEEL
TYPE	TURN AND RELEASE
ROSSETTE DIMENSION	52MM x 52MM
ROSSETTE DEPTH	8MM
PROJECTION	38MM
MECHANICAL WARRANTY	10 YEARS

