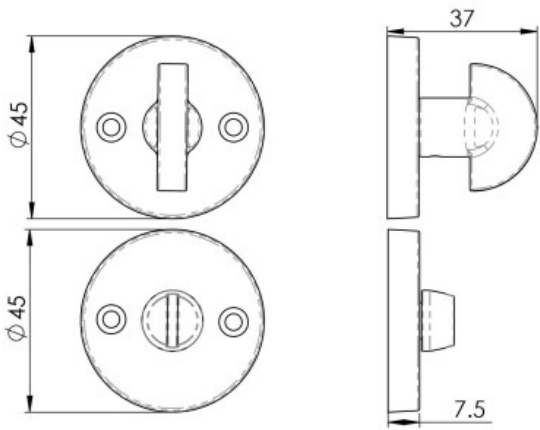


PRODUCT DATA SHEET



ITEM CODE	B12
MANUFACTURER	CARLISLE BRASS LTD UK
BRAND	CARLISLE BRASS
AVAILABLE FINISH	POLISHED BRASS
TYPE	TURN AND RELEASE
DIAMETER	45MM
PROJECTION	37MM
MECHANICAL WARRANTY	10 YEARS



10 Year Mechanical